

Capsule coffee machine  
Instruction manual

Milano



Please read the instructions and safety regulations carefully before using the coffee machine.

  
**aequinox**  
COFFEE SYSTEMS



# Indexes

Safety instructions	03
Technical Specifications	04
Brief introduction	05
1-1 Product Drawing Introduction	05
1-2 Component Introduction	05
Installation	06
Installation instructions	06
Method of use	06
1. Use of water tank	06
2. Pre heating	06
3. Capsule insert	07
4. Load the coffee cup	07
5. Coffee brewing	08
6. Button	08
7. Coffee volume adjustment	08
8. Coffee temperature setting	08
Cleaning and maintenance	09
Daily cleaning and matters needing attention	09
Descaling	10
Step 1 (first cycle)	10
Step 2 (Second Cycle)	11
Descaling completion status:	11
Troubleshoot minor faults	12



# Safety instructions

1. If the power cord is damaged, it must be replaced by the manufacturer or its service agent or a similarly qualified product to avoid danger
2. Read the instructions carefully and keep them safe
3. Coffee makers should be kept away from children.
4. The actual voltage used must be in accordance with the requirements on the machine specifications.
5. Do not use broken power cord, the machine should be away from heat source and flammable materials
6. Do not use outdoors or soak in any liquid.
7. If the power cord is damaged, it must be replaced by the manufacturer or its service agent or a similarly qualified product to avoid danger. Please keep the line dry and tidy and use original parts.
8. Please turn off the power and unplug the coffee machine before moving it..
9. The original packaging can protect the machine well during transportation, please keep it
10. Reasonable and proper use and maintenance can prolong the service life of the machine.
11. During operation, do not open any parts, do not cut off the power supply to avoid program disorder
12. If the machine can not be used normally, please consult the local dealer, do not disassemble the machine. Please take the machine to an authorized service organization for necessary repair. The manufacturer and distributor will not be responsible for any damage caused by unauthorized improper repair.
13. Machines should not be operated by persons with mental or physical defects, or lack of experience and knowledge of daily life. Unless the person is operating under the guidance of a normal adult.
14. This product is suitable for use at home or similar environments, such as: store staff kitchen areas, offices and other work environments; A farm house; Hotels, motels, and similar environments.
15. The appliance is not to be used by persons (including children) with reduced physical, sensory or mental capabilities, or lack of experience and knowledge, unless they have been given supervision or instruction.
16. Children being supervised not to play with the appliance
17. Warning: the coffee machine shall not use non-designated national standard grounding plug to avoid danger!
18. This appliance can be used by children aged from 8 years and above if they have been given supervision or instruction concerning use of the appliance in a safe way and if they understand the hazards involved. Cleaning and user maintenance shall not be made by children unless they are older than 8 and supervised. Keep the appliance and its cord out of reach of children aged less than 8 years.



19. Appliances can be used by persons with reduced physical, sensory or mental capabilities or lack of experience and knowledge if they have been given supervision or instruction concerning use of the appliance in a safe way and understand the hazards involved
20. Children shall not play with the appliance
21. This appliance is intended to be used in household and similar applications such as
22. Staff kitchen areas in shops, offices and other working environments;
23. Farm houses and by clients in hotels, motels and other residential type environments;
24. Bed and breakfast type environments;
25. Catering and similar non-retail applications.
26. The appliance must not be immersed.
27. Correct disposal of this product:
28. You can help protect the environment!
29. Please remember to respect the local regulations: hand in the non-working electrical equipments to an appropriate waste disposal centre.

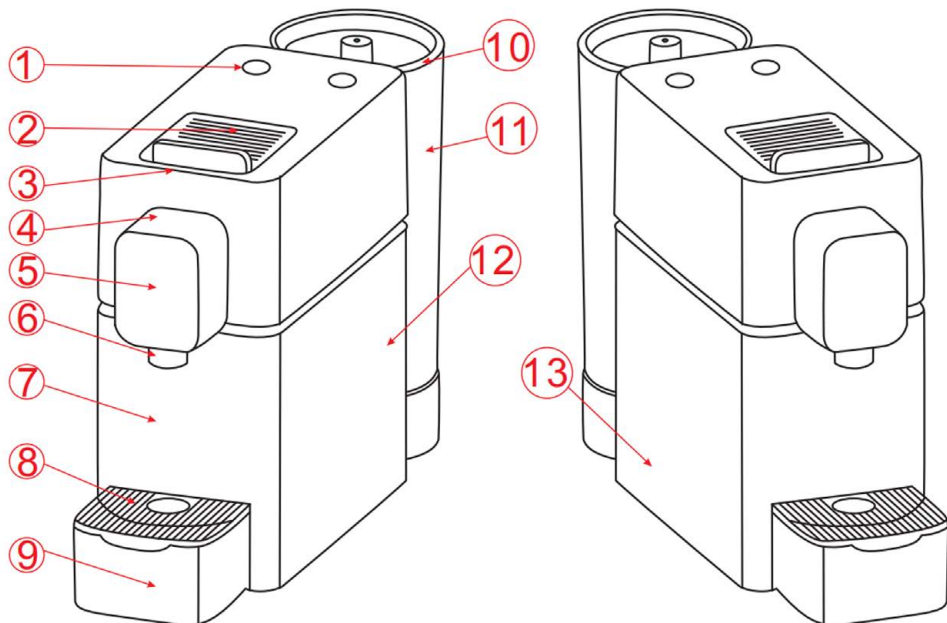
## Technical Specifications

Model name	capsule coffee machine
machine size	359(L) * 107(W) * 242(H) mm
Weight	2.75 Kg
Length of power line	115 cm
Pump pressure	19 Bar
Voltage	220-240 V
Frequency	50/60 Hz
Power	1400 W



# Brief introduction

## 1-1 Product Drawing Introduction



## 1-2 Component Introduction

- |   |                        |    |                  |
|---|------------------------|----|------------------|
| 1 | Button                 | 8  | Drip cover       |
| 2 | Sliding door           | 9  | Drip tray        |
| 3 | Top cover              | 10 | water tank cover |
| 4 | Nozzle cover           | 11 | water tank       |
| 5 | decorate panel         | 12 | Right side panel |
| 6 | Emulsifier cover       | 13 | Left side panel  |
| 7 | Used capsule collector |    |                  |

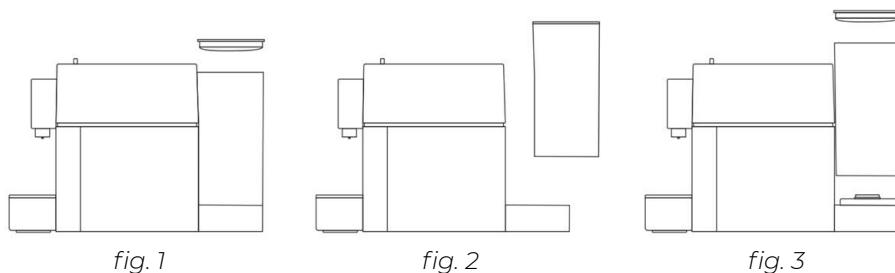


# Installation

## Installation instructions

- 1 Unpack and check all parts for breakage or shortage
- 2 Place the machine in a dry, safe, flat place not far from the power socket
- 3 Remove the water tank, clean it, fill it with water and put it on the back of the machine (only room temperature pure water can be used, not hot water or tap water or other liquids).

## Method of use



### 1 Use of water tank

- 1 Remove the water tank cover (fig 1)
- 2 Remove the water tank( fig 2)
- 3 Pull the purified water (Do not use hot water, tap water or other liquids)  
The maximum amount of water must not exceed the MAX position on the tank, (850ml).
- 4 Install the water tank on the previous position (fig 3) (fig 1)
- 5 Cover the water tank cover on water tank (fig 1)

### 2 Pre-heating

After add the water in water tank Plug in the power cord, any button, the machine start to heat,2 button will flash in blue colour, it will take around 1min to finish the heating, then the button will lighted in blue colour, it means the coffee machine is ready for brewing the coffee.



### 3 Capsule loading

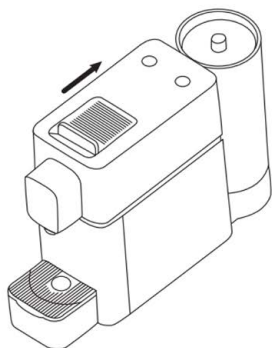


fig. 4

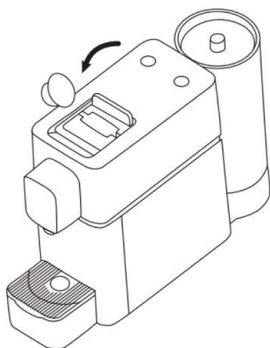


fig. 5

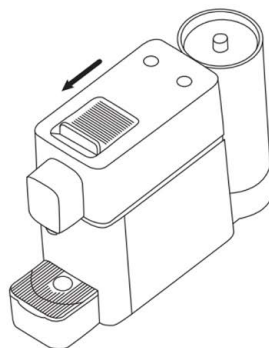


fig. 6

- 1 Open the sliding door (fig. 4)
- 2 Insert the capsule into the capsule window, (1 cycle, 1 capsule). (fig. 5)
- 3 Closed the sliding door. (fig. 6)

### 4 Load the coffee cup



fig. 7



fig. 8

\* place a coffee cup in the below of nozzle (fig. 7, 8).



## 5 Coffee brewing

\* Brew proper amount of coffee according to personal habits. Coffee can be divided into large cups and small cups. (Key can be divided into large cups and small cups).

## 6 Button

short cup button



Long cup button



## 7 Coffee volume adjustment

1 Adjust the amount of coffee produced during brewing according to user's habit. The coffee machine can set the amount of coffee produced by small cup and large cup respectively. After the machine enters the coffee brewing state after being heated by electricity, the following functions can be operated only when the small cup button/large cup button indicator lights blue.

\* Short cup flow setting: long press the small cup button for 5 seconds, then release it, and the indicator blinks, set the right amount of coffee, press the small cup button to stop making coffee, and the machine can remember the current amount of coffee.

\* Long cup flow setting: long press the large cup button for 5 seconds, then release it, and the indicator blinks, set the appropriate amount of coffee, press the large cup button to stop making coffee, and the machine can remember the current amount of coffee.

2 Standby state: The large and small buttons are pressed for 3 seconds at the same time to enter the standby state, and both indicators are off.

3 The system automatically restores the default amount of coffee: in standby state, press the large cup button and small cup button at the same time until the large/small cup button indicator blinks three times

## 8 Coffee temperature setting

1 Adjust coffee temperature according to user's habit. There are 7 temperature Settings: default, 4 up and 2 down. The following functions can be operated only when the machine is in standby state.

\* Long press the small cup button indicator light red flashing: flashing twice, the temperature drops one gear; Long press the small cup button for the second time: blink 1 time, and the temperature drops two gears.

\* Long press the large cup button indicator light flashing red: flashing once, the temperature rises by one gear; Long press the big cup button for the





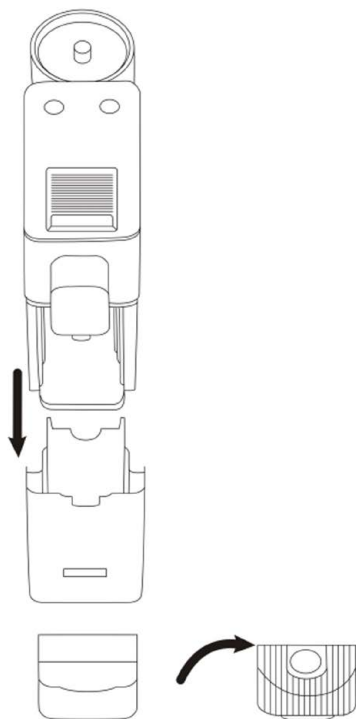
second time: blink twice, and the temperature rises two gears; Long press the big cup button for the third time: blink 3 times, and the temperature rises three gears; Long press the big cup button for the third time: blink 3 times, and the temperature rises by three gears; long press the big cup button for the fourth time: blink 4 times, and the temperature rises by four gears.

\* Standby state (The large and small buttons are pressed for 3 seconds at the same time to enter the standby state, and both indicators are off) : Press the large and small buttons at the same time until the large and small buttons blink for 3 times, and the system automatically restores the default temperature setting

## Cleaning and maintenance

### Daily cleaning, cleaning and matters needing attention

- 1 Water tank clean: Take off after rinse with water, if rinse not clean can be wiped with clean cotton cloth, and then rinse again with water
- 2 Waste water box cleaning: After removing it, rinse it with water. If it is not clean, wipe it with a clean cotton cloth and then rinse it again with water.
- 3 Appearance of the machine: always wipe the appearance of the machine with soft and slightly wet cotton cloth, keep the machine clean, please turn off the power of the machine and unplug the plug when wiping, to ensure safety.



Note: Do not wash the machine and any part of the machine in the dishwasher



# Descaling

## Notes:

Ensure that there are no capsules inside the machine and do not open the sliding cover while the program is running, as it may cause the descaling program to interrupt and potentially start from scratch.

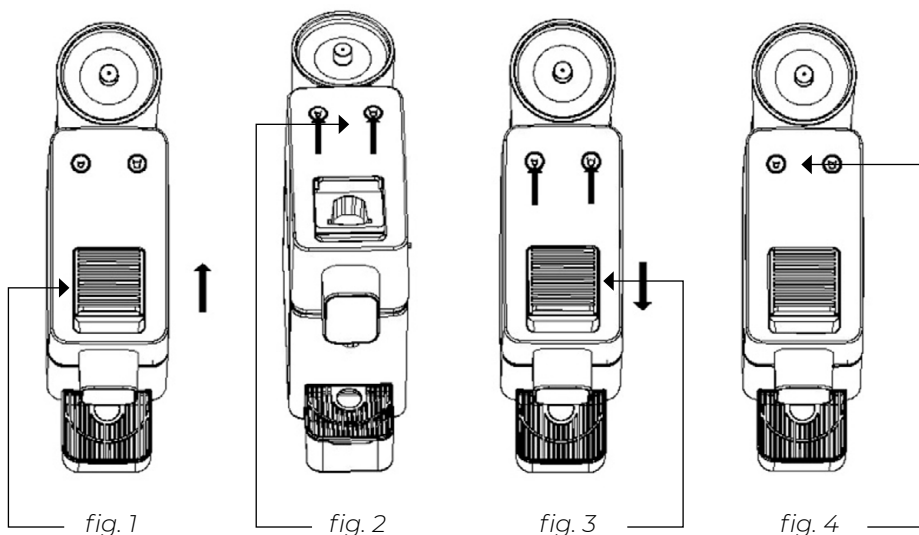
During the descaling operation, during each step, if the machine power off. After being powered on, continue from this step.

## Preparation before descaling:

Empty the water tank, add 500ml of water, and add 100ml of descaling solution. It is recommended to use non-toxic / harmless liquid descaling products from vegetable sources, which are common in the market, for coffee machines.

Insert the water tank into the coffee machine and place a container with a capacity of approximately 600ml on a drip tray (or remove the drip tray).

## Step 1 (first cycle):



When the sliding cover is opened (fig. 1), the big and small cup buttons are usually bright ice blue), press and hold the big and small cup buttons simultaneously (fig. 2), quickly close the sliding cover (fig. 3), close the sliding cover within 3 seconds), and then release the buttons (fig. 4). The lights on the big and small cup buttons start to flash (2 seconds on / 1 second off), and the descaling program begins.



When the first cycle ends, the small cup button light becomes stable, and the large cup button light flashes (1 second on / 1 second off)

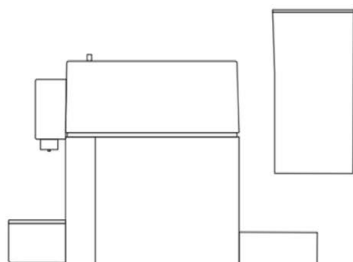


fig. 5

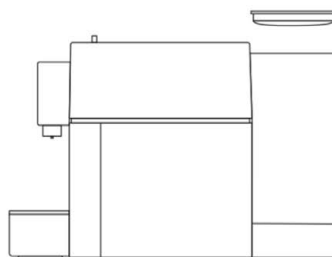


fig. 6

Remove and empty the water tank (fig. 5), rinse and top up with water (at least 0.6L), then replace it. (fig. 6)

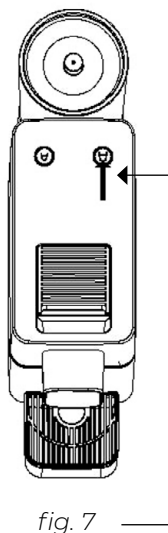


fig. 7

### Step 2 (Second Cycle):

Press the big cup button (fig. 7), and the big and small cup buttons will flash simultaneously (1 second on / 1 second off) to start the second cycle of rinsing.

### Descaling completion status:

The light on the big and small cup button is off. Press the big or small cup button again (with flashing ice blue light) to start preheating the machine. Only after the preheating is completed then can extract the coffee.



# Troubleshoot minor faults

All lights no light.

Please check that the power is properly connected, e.g. the plug is properly plugged in.

No coffee comes out.

Is there no water in the tank? Please fill with water and press the brew button again to ensure normal water supply.  
The used capsule is in the machine, please change a new one.

Push the button, but the machine not work.

Sliding door is not closed totally.

Coffee is not hot enough.

Brew some hot water to heat the cup.

Sliding door can't be open.

Switch off the machine and waiting the pressure release in machine, then open the sliding door.

Big noise.

Be sure there is some water in the water tank and it is install in correct position.

Coffee machine switch off automatically.

In order to protect the machine and save energy, the machine will automatically shut down after 25 minutes when there is no operation.

All Light flash red.

Switch off the machine for 1min, then Switch on again.

