



Please read the instructions and safety regulations carefully before using the coffee machine.



Indexes

1	User must read	3
2	Machine parameters	5
	2.1 Brief introduction	5
	2.2 Parameter	5
3	Basic Introduction	6
4	Installation	7
	4.1 Installation precautions:	7
5	Usage method	8
	5.1 Check whether the water accumulation box group is installed in place before use	8
	5.2 Check if the water tank installed in place	8
	5.3 Check if the sliding cover is close	8
6	Function Introduction	9
	6.1 Basic Introduction	11
	6.2 Engineering settings	11
	6.2.1 Temperature function	11
	6.2.2 Pre-infusion function	11
	6.2.3 Volume settings	12
	6.2.4 Total count and cleaning count	12
	6.2.5 Forced cleaning	13
	6.2.6 Shielding function	13
	6.2.7 Standby time settings	14
	6.2.8 Restore factory settings	15
	6.2.9 Special Instructions	15
7	Cleaning and maintenance	16



1. User must read

Please carefully read the manual and precautions before use, and save the manual of this machine.

This machine cannot be used outdoors, cannot be placed in liquids, and should not be near heat sources.

To keep the circuit dry, original accessories must be used.

1.1 When the machine needs to be moved, be sure to turn off the power and unplug the plug.

1.2

The original packaging of this machine can effectively protect the machine during transportation. It is recommended to keep the packaging box.

1.3

Proper use and maintenance can extend the service life of this machine.

1.4

Do not use the product for any purpose other than its own.

1.5

Please do not open any components of this machine during operation, nor cut off the power supply.

1.6

When water or drinks are flowing, the machine is filled with air pressure, and do not move the filter holder at this time.

1.7

In order to maintain hygiene, please clean the water accumulation box and water tank in a timely manner. It is best to clean the wastewater in the water accumulation box before shutting down after use every day to avoid odor over time.

1.8

If the power cord is damaged, in order to avoid danger, it must be replaced by the manufacturer or its service department, or by a professional recognized by our factory. When the machine malfunctions, please do not disassemble it without permission. Please consult the dealer in a timely manner. If repairs are needed, please obtain an authorized repair point from the manufacturer. The manufacturer is not responsible for any accidents caused by unauthorized disassembly.



1.9

This machine is not intended for use by individuals with physical, sensory, or mental disabilities, or those lacking experience and knowledge (including children); unless they have received supervision or guidance from someone responsible for their safety regarding the use of the product. Children should be supervised to ensure that they do not play with machines. 4

Warning: This machine must not be used without a designated national standard grounding plug to avoid danger!



2 Machine parameters

2.1 Introduction

The machine adopts an independent dual system mode, and each extraction system is equipped with a separate water system. The other system operates simultaneously without interference with each other. The Medan can be paired with various coffee capsules, such as Prodisc NC, FAP, POD, and other capsules, achieving a pairwise presentation.

2.2 Parameters

The rated power of the machine 2300W ^{+5%} _{-10%} ;

Boiler power: System I 1050W+System II 1050W (coffee boiler), 1200W (initial power of steam boiler);

Water pump: 19bar pressure;

Water tank capacity: 2.8L;

Rated voltage: 230V 50Hz;

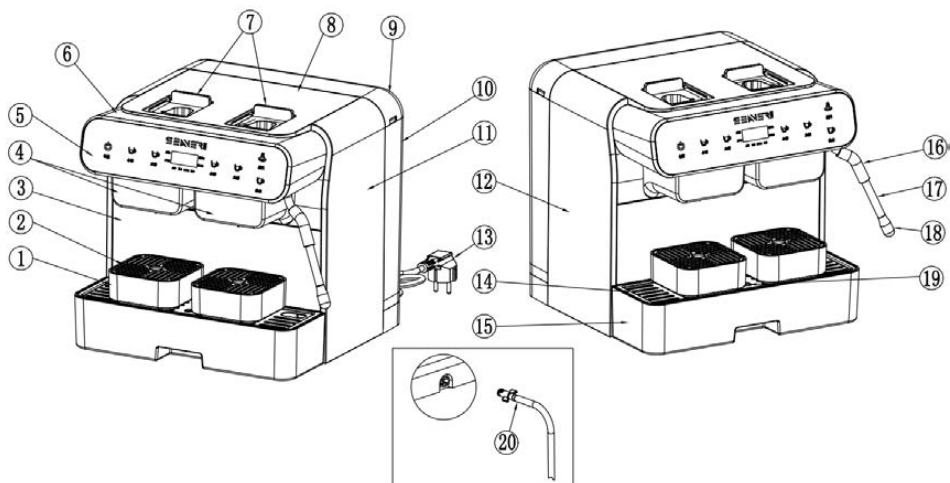
Machine dimensions: 320mm * 325mm * 320mm

Machine weight: 8.5Kg

Power cord length: 1250mm 5



3 Basic Introduction



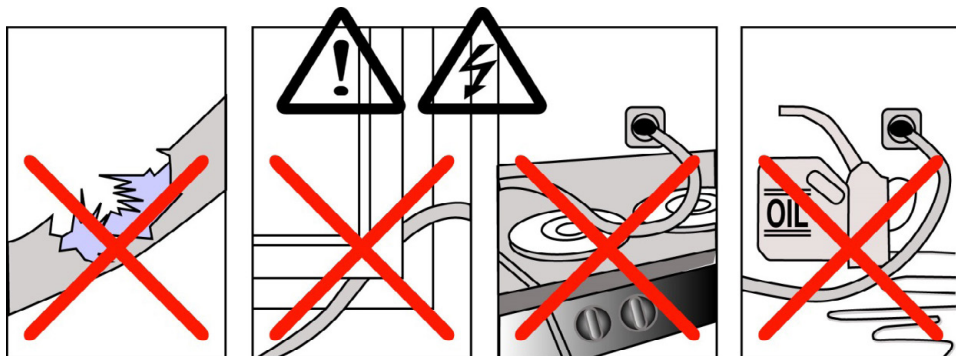
External part name:

1	Drip tray	11	Left panel
2	Drip tray	12	Right panel
3	Used capsule box	13	Power cord
4	Coffee nozzle	14	Grid
5	Front panel	15	Waste water box
6	Front cover	16	Steam rod silicone
7	Sliding cover	17	Steam rod
8	Up cover	18	Steam head
9	Watertank cover	19	Wastewater Float
10	Water tank	20	External water pipe group



4 Installation

4.1 Installation precautions:



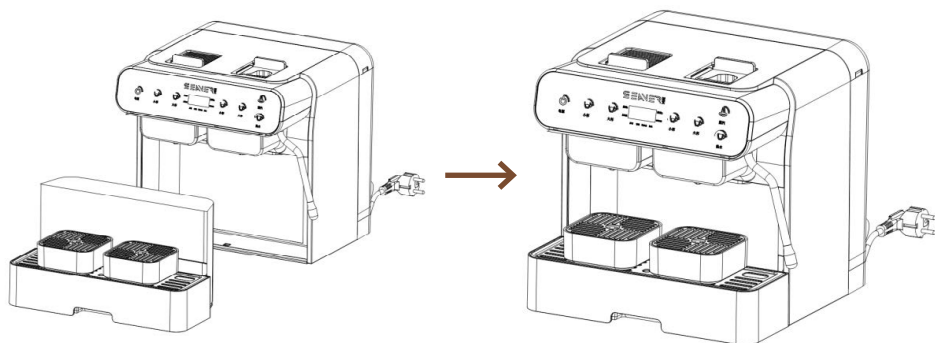
1. This machine should be kept out of reach of children.
2. Please confirm that the power supply voltage is 230V and equipped with a grounding device.
3. If the power cord is damaged, it cannot be used and should be kept away from heat sources and flammable materials.



5 Usage

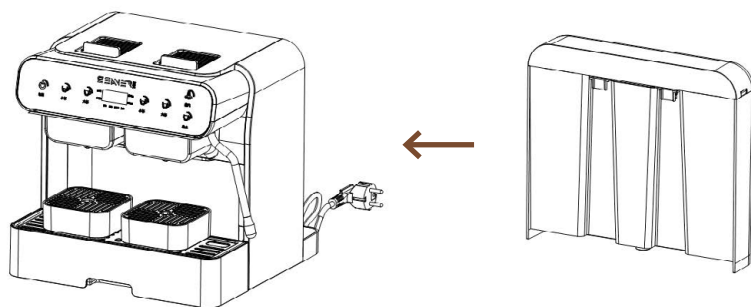
5.1

Check whether the water accumulation box group is installed in place before use



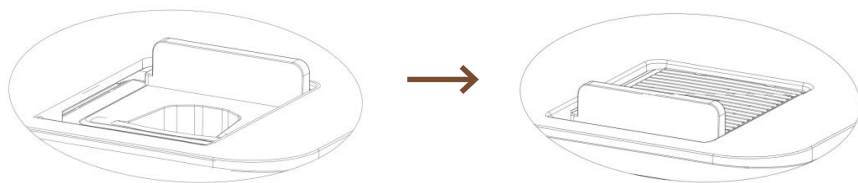
5.2

Check if the water tank installed in place



5.3

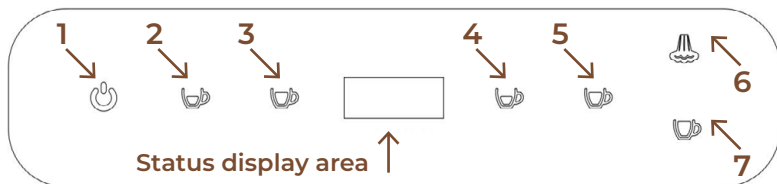
Check if the sliding cover close





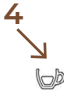




6 Function Introduction

6.1 Basic Introduction



Button Name	Button icon	Button function
Power button		The function is to switch between standby mode and preheating mode; When the machine is in standby mode, touch the power button to immediately enter the preheating state; When the machine is in working or preheating or standby mode, press and hold the power button for 5 seconds to enter standby mode.
Short button of system 1		The function is to display the preheating status; After preheating, press the function button; And the combination buttons in engineering mode.
Long button of system 1		The function is to display the preheating status; After preheating, press the function button; And the combination buttons in engineering mode.



Short button of system 2		The function is to display the preheating status; After preheating, press the function button; And the combination buttons in engineering mode.
Long button of system 2		After preheating, press the function button; And the combination buttons in engineering mode.
Steam button		The function is to wake up steam preheating; After steam preheating is completed, press the button function; And combination buttons in engineering mode
Hot water button		The function is to wake up steam preheating; After steam preheating is completed, press the button function; And the combination buttons in engineering mode.
Display Status Area		Displayed by a 5-digit digital tube in the middle 1 Total count; 2 Cleaning count; 3 Abnormal alarm code; 4 Reminder for adding water to the water tank; 5 Drip tray reminder; 6 Reminder for cleaning waste capsules; 7 After a single system reaches 600 cups, a cleaning alarm will be triggered, and it needs to be forced to wash before it can work



6.2 Engineering settings

The dual system can be set in the state of waiting for preheating or completing preheating.

Cannot set other functions when setting the current function

6.2.1 Temperature function

Close the dual system sliding cover and long press the big and small cup keys

System 1		System 2	
Downshift	Upshift	Downshift	Upshift
button 2	button 3	button 4	button 4

Display method

First level	Second level	Third level (default)	Fourth level	Fifth level
F0001	F0002	F0003	F0004	F0005
81°C-88°C	83°C-90°C	85°C-92°C	87°C-94°C	89°C-96°C

6.2.2 Pre-infusion function

Open the two system sliding cover and long press the big and small cup buttons

System 1		System 2	
Downshift	Upshift	Downshift	Upshift
button 2	button 3	button 4	button 4

Display method

No Pre-infusion	Mild Pre-infusion	Heavy Pre-infusion
S—NO	S—3	S—6
0S pre-infusion	3S pre-infusion	6S pre-infusion



6.2.3 Volume Setting

Operating mode

System 1		System 2		Steam	Hot water
Short cup	Long cup	Short cup	Long cup		
Long press and hold the button 2 for three seconds	Long press and hold the button 3 for three seconds	Long press and hold the button 4 for three seconds	Long press and hold the button 5 for three seconds	Long press and hold the button 6 for three seconds	Long press and hold the button 7 for three seconds
Exit by clicking button 2	Exit by clicking button 3	Exit by clicking button 4	Exit by clicking button 5	Exit by clicking button 26	Exit by clicking button 7

The steam time is set between 15s and 240s, and the flashing frequency of button 6 lights increases (distinguished from normal steam output) to support power failure memory.

The hot water flow rate is set to 30ml-300ml, and the flashing frequency of button 7 light is increased (distinguished from normal hot water discharge), supporting power failure memory.

6.2.3 Total count and cleaning count

Open the sliding cover of the two system with button1+button7. Click the button 1 to exit this function, and the machine will automatically restart.

System 1		System 2		Steam	Hot water
Total Count	Cleaning count	Total Count	Cleaning count	Total Count	Total Count
Button 2	Button 3	Button 4	Button 5	Button 6	Button 7
T.Count Total Count andcup quantity	D.Count Cleaning Count and cup quantity	T.Count Total Count and cup quantity	D.Count Cleaning Count and cup quantity	Total cup quantity	Total cup quantity



Clear Cleaning Count

System 1	System 2
Open the sliding cover+button 2+button 3	Open the sliding cover+button 4+button

6.2.4 Forced cleaning

Double system sliding cover closed+button 1 +button 7 to start
During forced cleaning, maintain the boiler temperature at 45°C. If the boiler temperature is high, it will naturally cool during the descaling cycle without waiting for it to cool down.

There cannot be other function settings when setting this function.

Sliding cover close+button 1 +button 7 to exit this function, force the cleaning count to reset, and the machine will automatically restart.

When entering the cleaning function, the machine will turn on and off the pump for a specified second.

When entering the cleaning mode, the digital tube displays Clean waiting to start cleaning.

Display	Description
Clean	Prepare for cleaning
1	Open the sliding cover and click on the small cup button
2	Cleaning in progress
3	Click on the long cup button to start cleaning
4	Cleaning completed

6.2.6 Shielding function

Double system sliding cover open+ button 1+button 6



Operation	Display	Description
Button 2	Open L0001/L0000 Close	Buzzer open/off
Button 3	L0010 off	Drip tray - off
Button 4	Open L0101/L0100 Off	Liquid level sensor open/off
Button 5	Open L1001/L1000 Off	Cleaning function open/off
Button 6		Open
Button 7		Close

6.2.5 Standby time setting

Double system sliding cover closed+button 1 +button 7 to start
During forced cleaning, maintain the boiler temperature at 45°C. If the boiler temperature is high, it will naturally cool during the descaling cycle without waiting for it to cool down.

There cannot be other function settings when setting this function.
Sliding cover close+button 1 +button 7 to exit this function, force the cleaning count to reset, and the machine will automatically restart.

Two system sliding cover Click the button 1 to exit this function, and the machine will automatically restart.

Operation	Display	Description
	H0001 (default)	10 Mins
	H0002	30 Mins
	H003	4H
Button 6		Upshift
Button 7		downshift



6.2.6 Restore Factory Settings

button 1 +button 6 +button 7

The machine directly enters restart. All settings have been restored to the factory default state, including large/small cup flow rate, temperature, boiler temperature range, standby time, and soaking time.

6.2.7 Special instructions

Machine counting method:

A coffee brewing time greater than 5 seconds is considered an effective extraction, and the sliding cover is opened once, so that both the total count and the cleaning count are counted simultaneously;

If the steam blowing time is greater than 15 seconds, the total number of effective steam cycles is calculated. Steam only calculates the total steam count, does not increase the cleaning count, nor does it increase the total coffee count; The total number of valid hot water attempts is calculated when the hot water injection time is greater than 15 seconds.

Hot water only counts the total number of hot water attempts and does not increase the cleaning count or coffee count



7 Cleaning and maintenance

Water tank cleaning: After removing it, rinse it with clean water. If it is not clean, wipe it with a clean cotton cloth, and then rinse it again with water. Clean the water accumulation box: After removing it, rinse it with clean water. If it is not clean, wipe it with a clean cotton cloth, and then rinse it again with water.

Machine appearance: Regularly wipe the machine appearance with a soft and slightly damp cotton cloth to keep it clean.

When wiping, please turn off the power supply of the machine and unplug the plug to ensure safety.